



MEDICAL LED LAMP

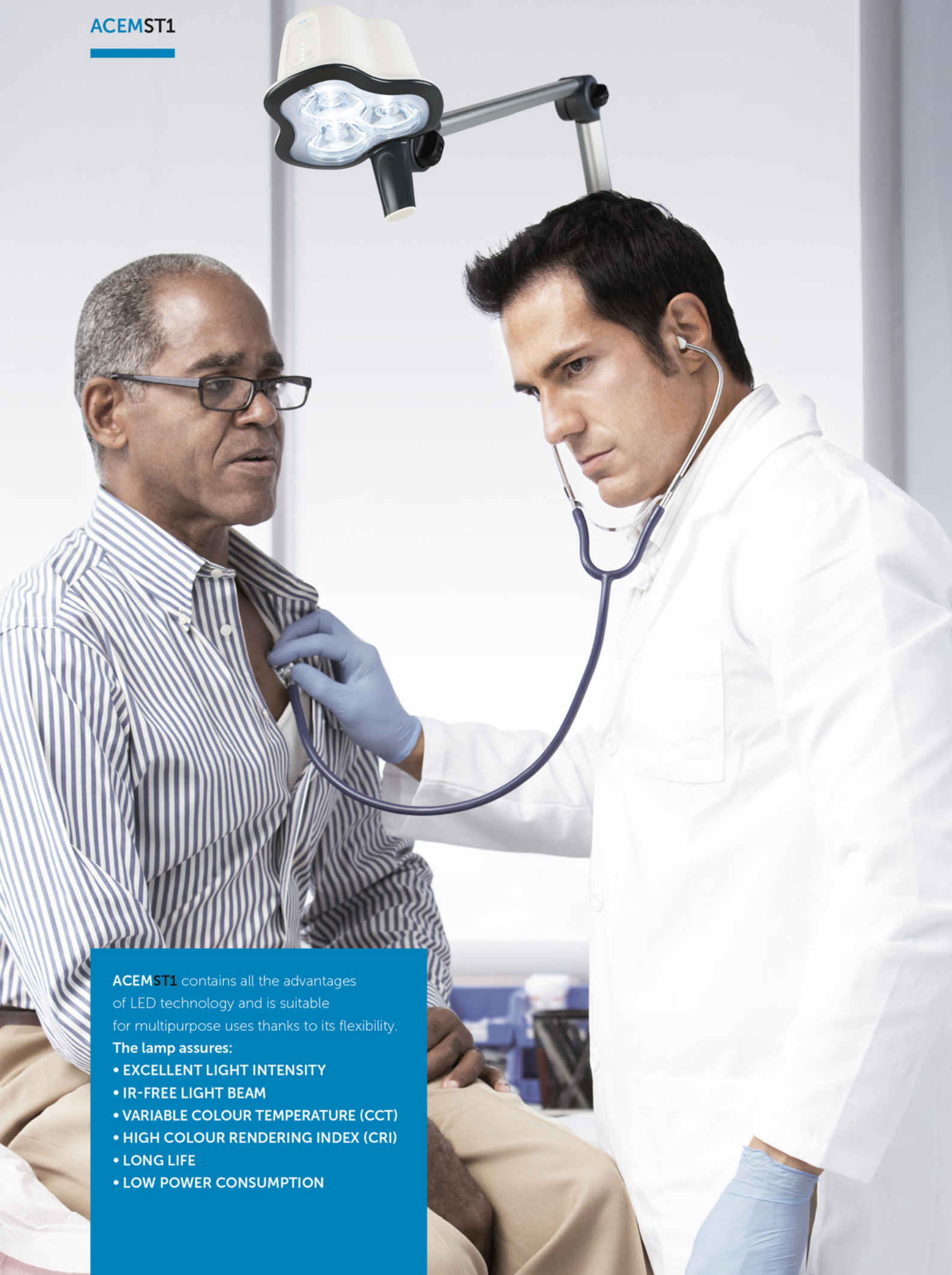
ACEMST1



ACEMST1

IS THE NEW LED LIGHT MANUFACTURED BY ACEM SUITABLE FOR SEVERAL MEDICAL SPECIALTIES: DERMATOLOGY, GENERAL MEDICINE, GYNECOLOGY, DENTISTRY. IT IS ADAPTABLE FOR UNIVERSAL APPLICATIONS AND ITS ILLUMINATION IS PERFECT FOR EACH KIND OF EXAMINATION; IT IS IDEAL FOR DIAGNOSTICS, COSMETIC MEDICINE, FIRST AID, RECOVERY ROOM AND AS BED HEAD LIGHT. **ACEMST1** IS AVAILABLE IN DIFFERENT COLOURS ACCORDING TO TASTES AND FIELD OF APPLICATION.

ACEMST1



ACEMST1 contains all the advantages of LED technology and is suitable for multipurpose uses thanks to its flexibility.

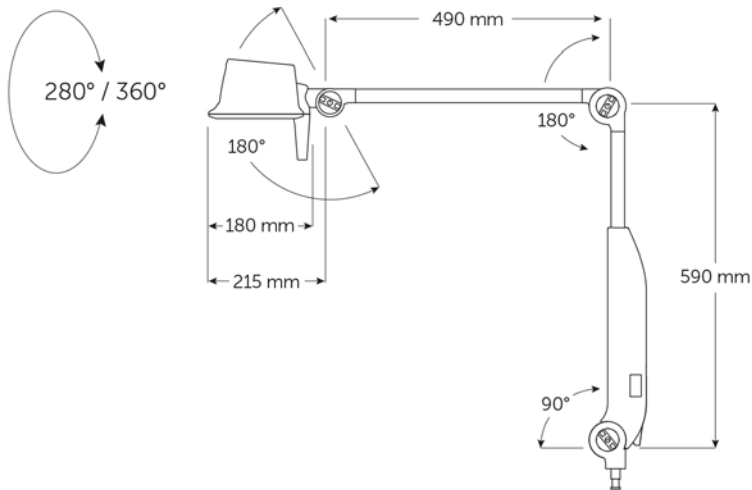
The lamp assures:

- EXCELLENT LIGHT INTENSITY
- IR-FREE LIGHT BEAM
- VARIABLE COLOUR TEMPERATURE (CCT)
- HIGH COLOUR RENDERING INDEX (CRI)
- LONG LIFE
- LOW POWER CONSUMPTION

ACEMST1 has a compact and functional design.

The lamp:

- has a smooth easy-to-clean and disinfect surface to assure an excellent cleanliness
- is easy to move and its double balancing system assures stability and accuracy for the whole time of use once positioned
- has a wide rotation and movement range

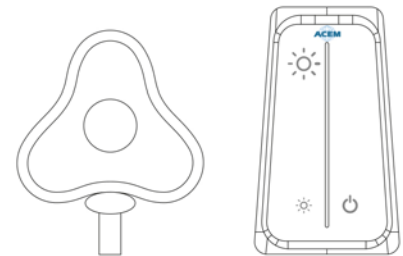


According to needs, the lamp is available in two models:

ACEMST1.1

The touch panel controls all the functions of the lamp

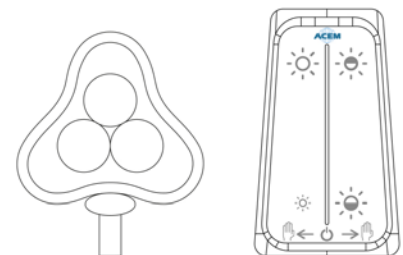
- On / Off
- Light intensity adjustment



ACEMST1.3

The touch panel controls all the functions of the lamp

- On / Off (or through **Gesture Control**)
- Light intensity adjustment
- Colour temperature adjustment (stepless)



COLOUR TEMPERATURE: **3,000 K**



COLOUR TEMPERATURE: **4,200 K**



COLOUR TEMPERATURE: **5,500 K**

TECHNICAL DATA SHEET

ACEMST1.1

Product Class EN 60601-2-41	I
Max. light power	60,000 LUX @ 50 cm
Light adjustment	FROM 0% TO 100%
Light field diameter (d10)	26 cm
Colour temperature, CCT	4,500 K
Colour rendering index (Ra)	98
LED average life	60,000 h ABOUT
Voltage	100-240 Vac- 50/60 Hz
Low DC voltage version	24 Vdc
Power consumption	10 VA
Light head diameter	18 cm
Light head and arm weight	1 Kg
Trolley weight	3 Kg
Colour matching	White RAL 9010 / RAL 7016*

ACEMST1.3

Product Class EN 60601-2-41	I
Max. light power	100,000 LUX @ 50 cm
Light adjustment	FROM 0% TO 100%
Light field diameter (d10)	26 cm
Colour temperature, CCT	FROM 3,000 K TO 5,500 K
Colour rendering index (Ra)	98
LED average life	60,000 h ABOUT
Voltage	100-240 Vac- 50/60 Hz
Low DC voltage version	24 Vdc
Power consumption	12 VA
Light head diameter	18 cm
Light head and arm weight	1 Kg
Trolley weight	3 Kg
Colour matching	White RAL 9010 / RAL 7016*

E & OE

Photometric Values $\pm 10\%$

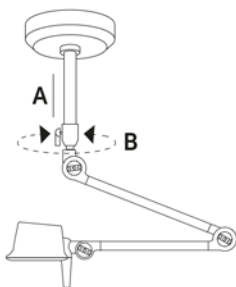
*Colour range available for both models:

White RAL 9010 / RAL 6019
 White RAL 9010 / RAL 5024
 White RAL 9010 / RAL 4003
 White RAL 9010 / RAL 7035

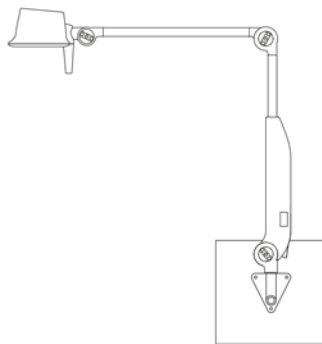
ACEMST1 IS AVAILABLE IN THE FOLLOWING VERSIONS

A = FROM 600 mm
TO 1,100 mm

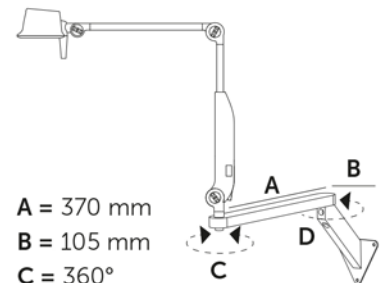
B = 330°



CEILING MOUNTED



WALL MOUNTED



A = 370 mm
B = 105 mm
C = 360°
D = 180°

WALL EXTENSION ARM

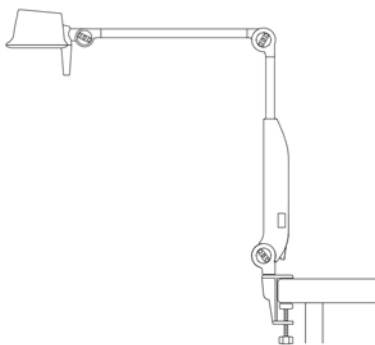
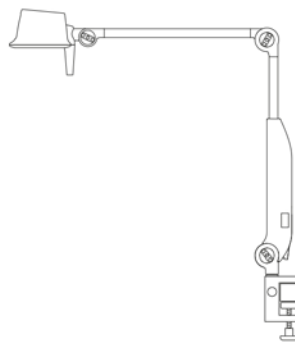
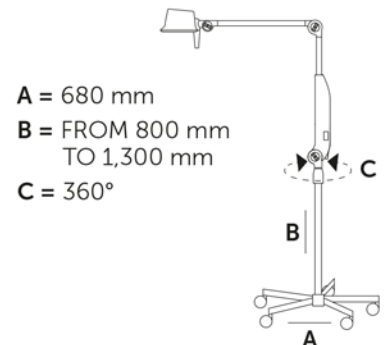


TABLE MOUNTED



RAIL MOUNTED



A = 680 mm
B = FROM 800 mm
TO 1,300 mm
C = 360°

TROLLEY MOUNTED

ACEMST1

ACEM IS A REGISTERED TRADEMARK OF ACEM S.P.A.
ACEM ALL RIGHTS RESERVED
ACEM RESERVES THE RIGHT TO MODIFY THE DESIGN
AND SPECIFICATIONS CONTAINED HEREIN WITHOUT ANY PRIOR NOTICE

DEP.ACEMST1.EN r1901



ACEM SPA | VIA DELLA TECNICA 29,
40050 - ARGELATO, BOLOGNA - ITALY
PH +39 051 721844 | FAX +39 051 721855 | info@acem.it

WWW.ACEM.IT



Management
System
ISO 9001:2015
EN ISO 13485:2016

www.tuv.com
ID 9105086197

