

Affordable High Precision Bed-type Bone Densitometer

# OSTEO Prima

is a bed-type bone densitometer using the most advanced dual energy X-ray absorptiometry (DEXA) technology

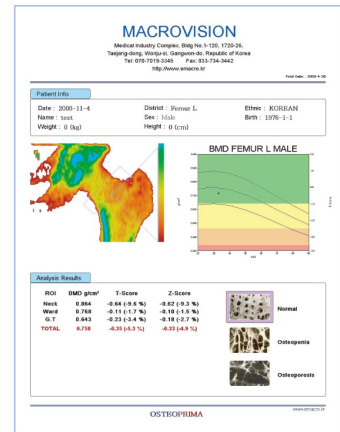
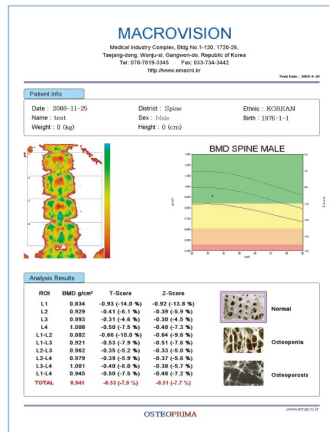
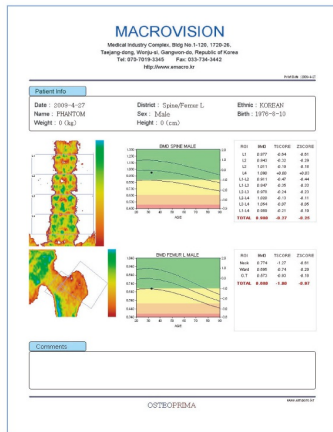
We have extensive experience in the bone densitometry field since the first introduction of a bone densitometer to Korea.

OSTEOPRIMA is the perfect solution to expand your osteoporosis management



# OSTEOPRIMA for osteoporosis diagnosis and follow up is the Optimum Solution?

- ❖ Minimum purchasing price and maintenance cost
- ❖ Optimum space practical use and Lowest noise
  - ⇒ Minimum space, 20dB
- ❖ Best accuracy, minimum radiation dosage
  - ⇒ Precision < 1.0% 1uSv
- ❖ Easy operating and Various analysis methods
  - ⇒ Window XP, Auto analysis by ROI and Passivity analysis

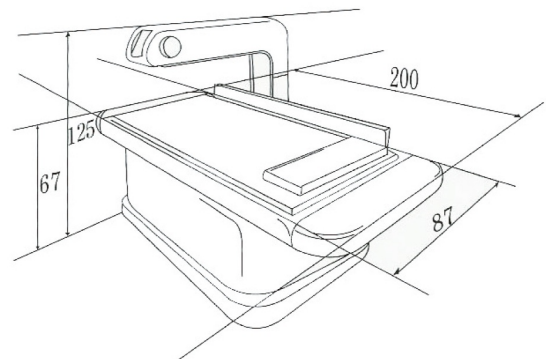


## Technical Specification

System	
Scan Method	Pencil Beam DEXA
X-ray System	86kV 0.8mA, Oil & Air cooling
Detection System	CdZnTe Detector(eV products USA)
Dose	< 1uSv
Dimensions(L x W x H)	200 x 100 x 125cm

Digital Workstation	
Automatic Bone Edge Determination	
System Self-diagnostics	
Patient Trending	
Future Fracture Risk	
Korean reference Data	
More than Windows XP	

Option	
Dicom(PACS)	
Dual Scan : Spine/Femur One time scan	



**MACRO VISION CO., LTD.**  
 #207, 1-dong, Wonju Medical Equipment Industrial Complex,  
 42-10, TaeJang Gongdan-ro, Wonju-Si, Gangwondo, Korea 220-962  
 T. + 82 - 808 - 0808 F. + 82 - 808 - 0809  
 H. www.macrovision.co.kr E. info@emacro.kr